



**Main Characteristics**

Length Overall	92 ft	(28.04 m)
Beam	26 ft	(7.93 m)
Operating Draft	9 ft	(2.75 m)
Light Draft	7 ft	(1.90 m)
Gross Tonnage	98	

**Capacities**

Clear Deck Space	48 ft x 25 ft	(14.63m x 7.62m)
Deck Cargo	22,000 lbs	(9.97 mt)
Fuel Cargo	11,000 gal	(41.64 m <sup>3</sup> )
Lube Oil	100 gal	(0.38 m <sup>3</sup> )
Potable Water	3000 gal	(11.36 m <sup>3</sup> )

**Performance**

Cruising Speed	9 knots
Top Speed	10 knots
Fuel Consumption	23 gal/hr

**Propulsion**

Main Engines	(2) D125-E
Manufacturer	Volvo
Total Horsepower	900 hp

**Special Features**

- 12.5 t A-Frame
- 5 t Winch
- Towing Winch
- 3.75 t Palfinger Knuckleboom Crane

**Available Equipment**

- 60kw 440v / 3ph Deck Generator dedicated to Client needs
- Side Mount Survey Pole

**Accommodations**

Accommodations for 13 people

Crew	4
Guests	9

Fully Airconditioned and Heated

**Electronics**

3 x VHF Radio	2 x GPS
2 x Radars	
2 x Depth Finder	
1 x PA / Loud Hailer	
1 x Sat Phones	

**Generators**

Engine MFG	Volvo
Volts Each	440
K.W.	60

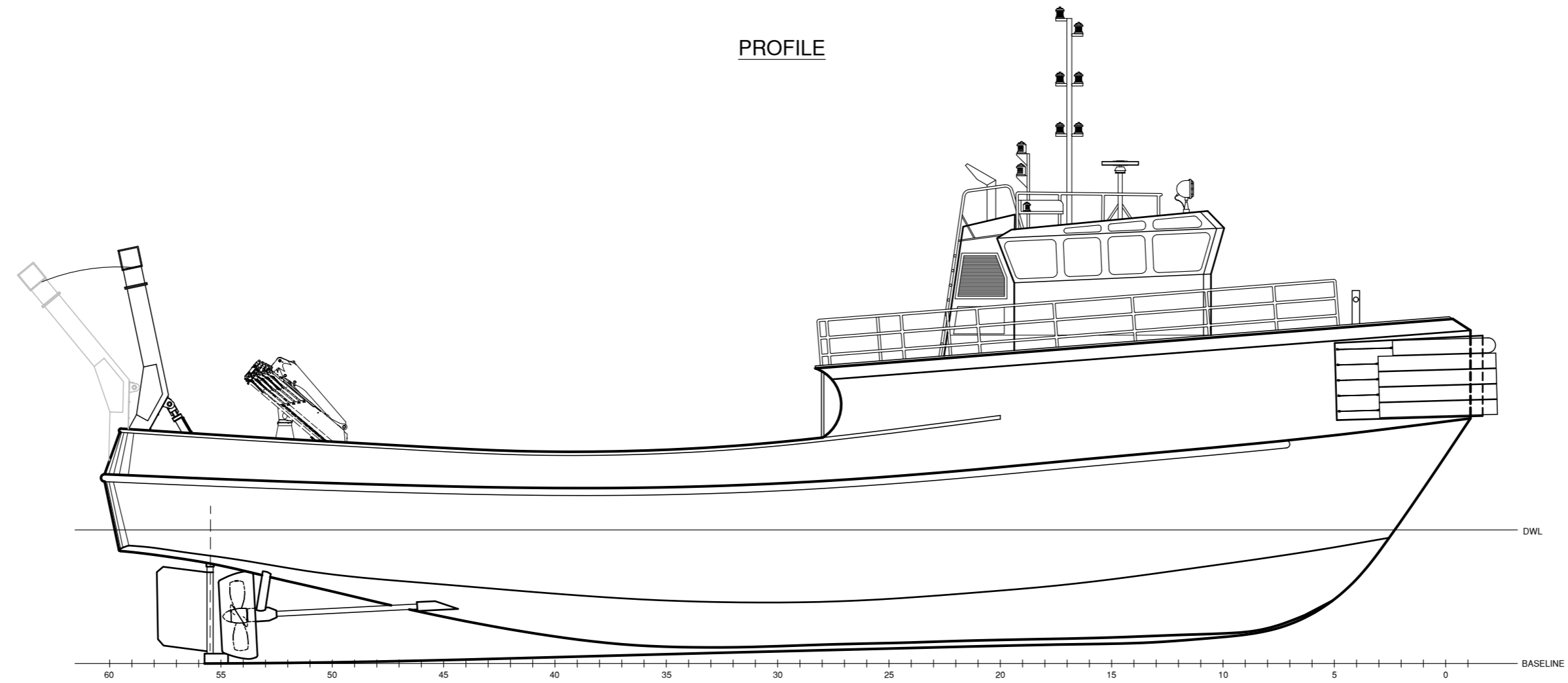
**Life Saving Equipment**

- 1 x 10 Man Life Rafts
- 1 x EPIRB
- 1 x 6 Man Life Raft
- S.A.R.T.
- Life Sling
- 3 x Line Thrower

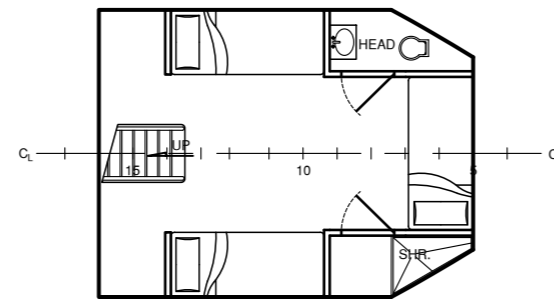
**Classification**

Subchapter	M / Towing
Flag	U.S.A.

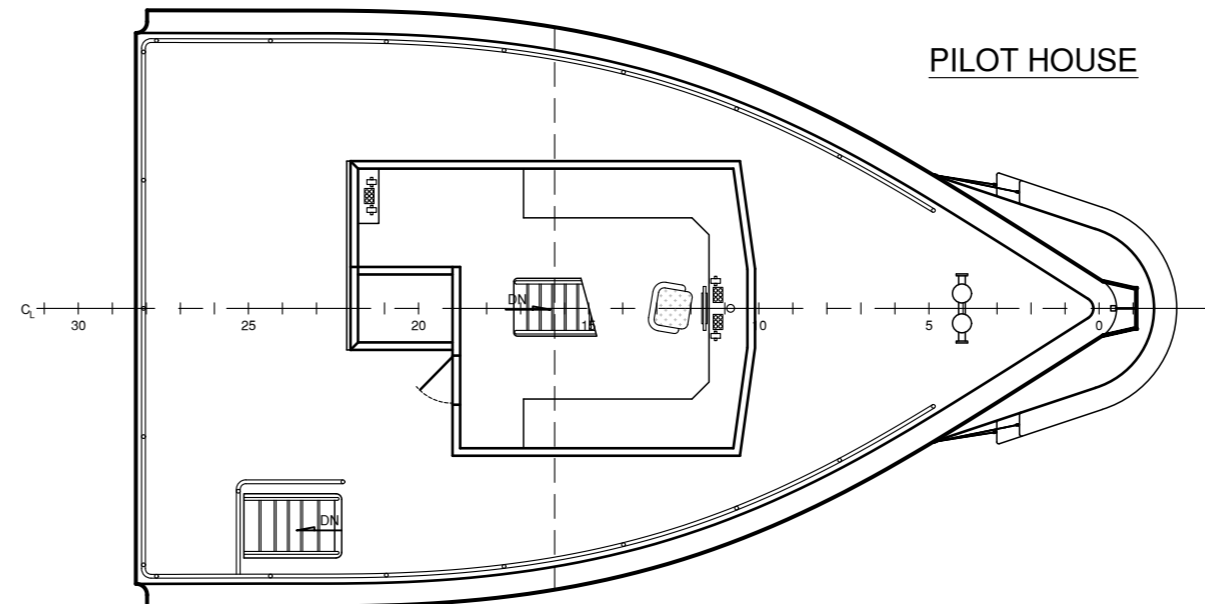
PROFILE



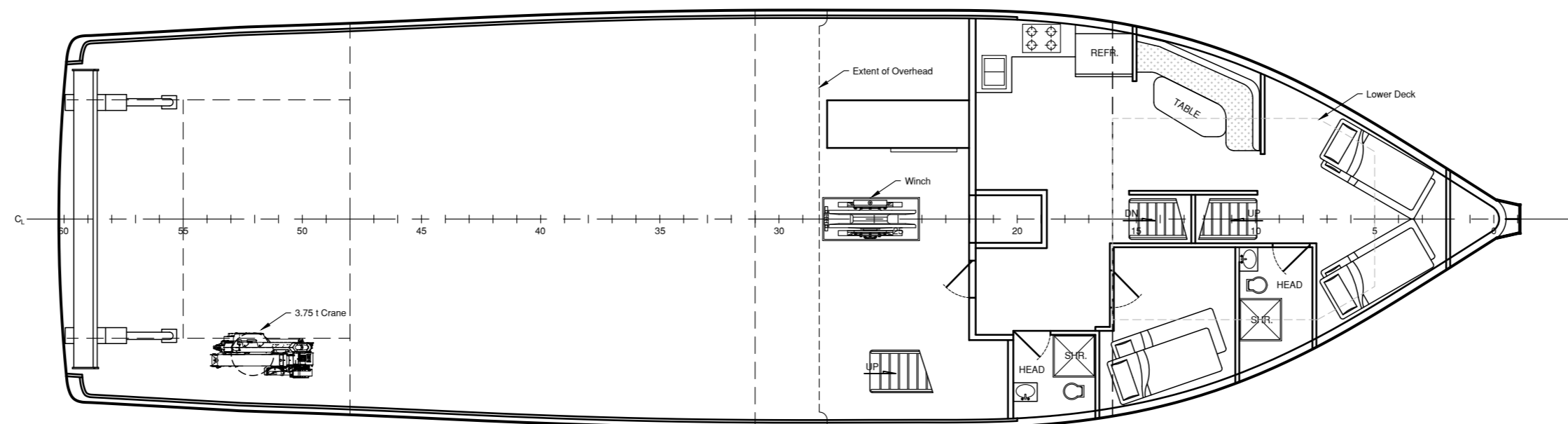
LOWER DECK




PILOT HOUSE



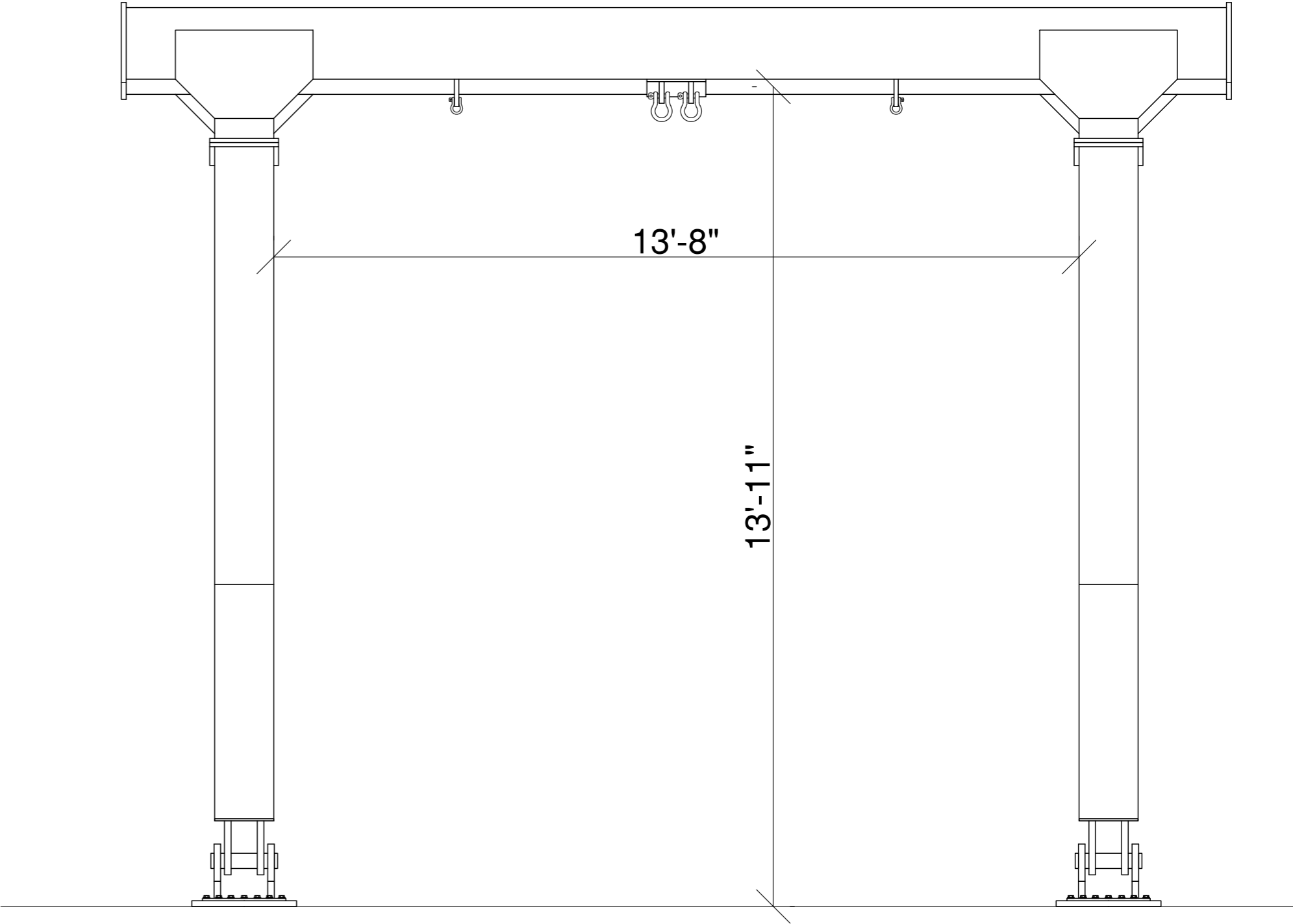
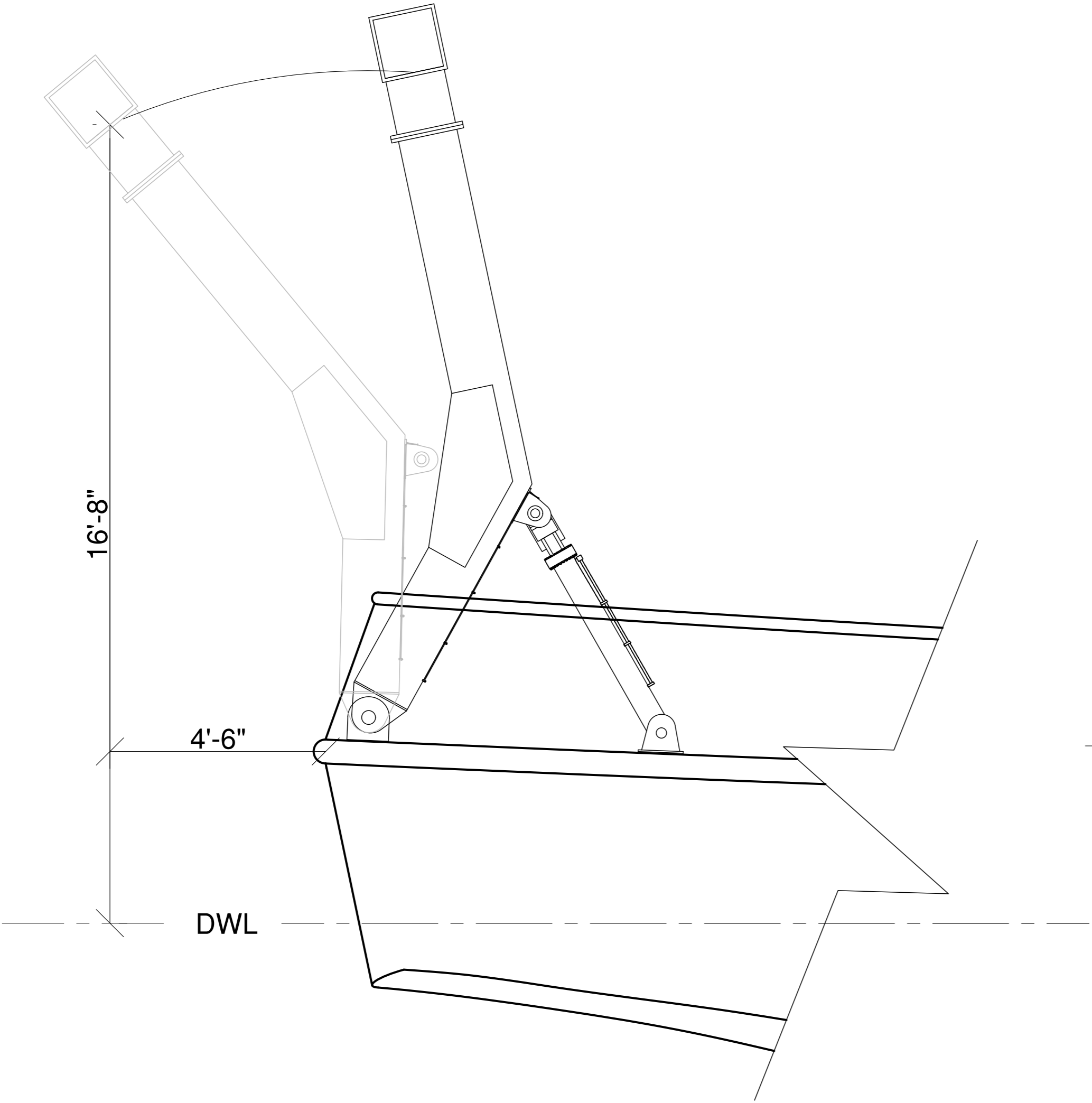
MAIN DECK




	Issue date: Jan 29, 2024	Scale: 3" = 1'-0"	File name: NS_Challenger_General_Arrangement
	Drawn by: HLyman	Orig. Size: A2	Project Name: NORTHSTAR MARINE FLEET
	DWG NO: NSM-CHALL-1-2024	Drawing title: <b>NS Challenger GA</b>	
	Vessel: Northstar Challenger	Sheet: 1 of 2	

# NORTHSTAR CHALLENGER

## A-FRAME SWL 12.5 T



	Issue date: Jan 29, 2024	Scale: 1'-0" = 1'-0"	File name: NS_Challenger-A-Frame
	Drawn by: HLyman	Orig. Size: A2	Project Name: NORTHSTAR MARINE FLEET
	DWG NO: NSM-CHALL-2-2024		Drawing title: <b>NS Challenger A-Frame</b>
Vessel: Northstar Challenger		Sheet: 2 of 2	